

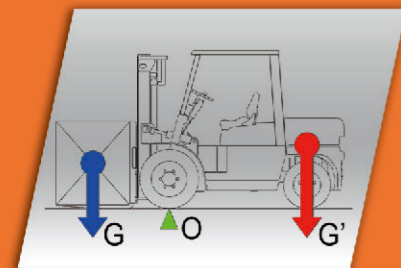
# FD Series 45▶50

# TEU

Internal combustion and counter balance forklift 4.5 – 5 ton  
**More powerful \ Safer \ Comfortable**



## Guarantees of strong power and safety



### 1 High safety factor

Compared with the similar forklift its balance weight increases more than 300kg, the stability and overloading are improved much.



### 2 Powerful brake

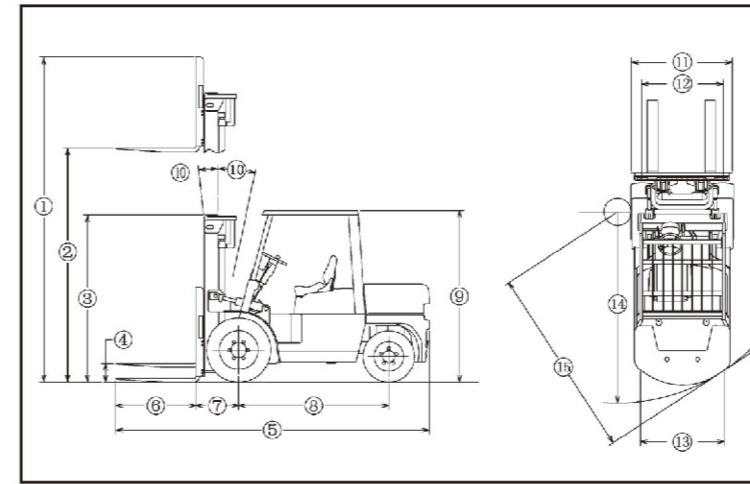
Strong and effective power brake system provides the most reliable security. Optimum design and priority brake system ensure the brake, as well keep the power distribution of other systems, which makes operation more comfortable.



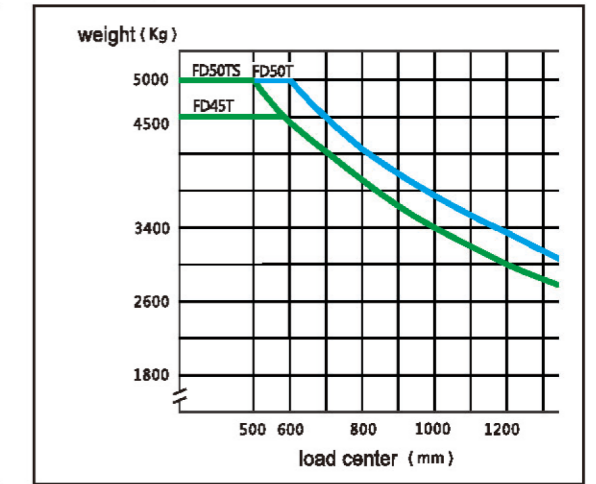
### 3 High strength mast

High strength-solder bath mast is forklift's strongest arm. Wide filed of front vision ensures the safety of operation and improves work efficiency.

### Standard dimensional drawing



### Loading chart



### Main Truck Specifications

Model		FD45T	FD50TS	FD50TF				
Performance	Load capacity	4500	5000	5000				
	Load center	600	500	600				
	Max.lifting height (VM300mast)	3000						
	Free lift (VMmast)	140						
	Speed	Max travelling	full	18	19			
			no load	19	19			
		Lifting	full	410	410			
			no load	430	380			
	Lowering	full	380	340				
		no load	340	340				
Dimensions	Turning radius (outside)	2780	2780	2865				
	Right angle stacking aisle width (200mmclearance)	4585	4585	4670				
	Total length (without fork)	3100	3100	3183				
	Total width	1485						
	Mast height (fork lowered)	2300	2300	2390				
	Overall height fork raised (with backrest)	4266						
	Height of head guard	2270						
	Fork size	L X W X T	1220 × 150 × 50	1070 × 150 × 50	1220 × 150 × 60			
	Tilt range	fwd / bwd	6 / 12					
	Ground Clearance	At the lowest point(mast)	100					
Frame		240						
Wheelbase		2000						
Tread	Front	1180						
	Rear	1190						
Front overhang(front face of fork to front axle)		560						
Truck weight (no load)	kg	7230	7230	7830				
Tires	Front	300-15-18PR						
	Rear	7.00-12-12PR						
Engine	Model	4108	S6S	4108	S6S	4108	S6S	
	Rated power	KW/rpm	57/2200	52/2300	57/2200	52/2300	57/2200	52/2300
	Rated torque	Nm/rpm	297/1600	248/1700	297/1600	248/1700	297/1600	248/1700
	Number of cylinder		4	6	4	6	4	6
	Displacement	L	4.578	4.996	4.578	4.996	4.578	4.996

※ TEU'S products change without prior notice.



## Anhui TEU Forklift Truck Co.,Ltd.

Sales department

Tel:+86-551-2654008

Fax:+86-551-2654808

Zip:230001

Add:No.124,Lujlang rd,Hefei,Anhui,China

E-mail:admin@anhuteu.com.cn

Distributor: